

# SELECON PRODUCT DATA SHEET

## Pacific 20° FIXED BEAM PROFILE

A base down 600 / 800 / 1000W axial profile which delivers a "cool" beam of light in a range of fixed beams including 20, 30, 40 and 50 degrees. The beam is of crisp "white" light with little or no distortion, ideal for pattern projection and precise beam shaping.

An energy efficient luminaire with Active Heat Management system delivers longer life for filters, shutters and lower energy consumption.

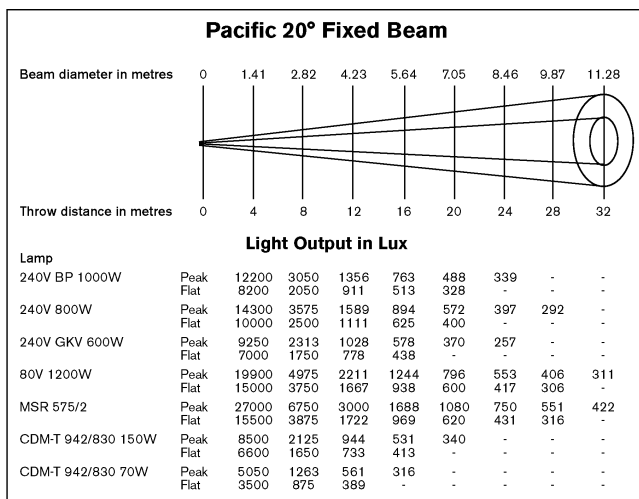
A fully featured luminaire constructed from aluminium pressure die castings and injection moulded Fortron plastic components.

### FEATURES

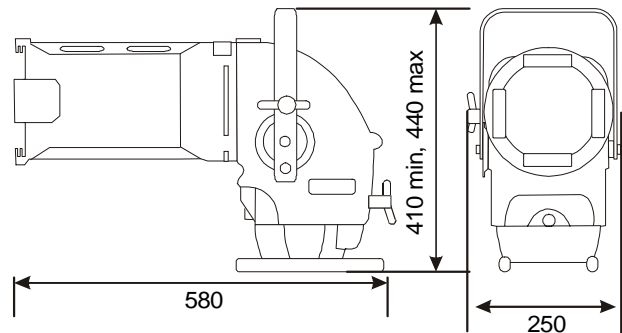
- Produces more light than comparative traditional ellipsoidal profiles.
- Cool 'white' light. Over 80% of the heat is removed from the light beam by the cold mirror and dissipated through the heat-sink.
- Base down lamp mounted axially in the reflector to maximise light collection.
- Choice of 600W, 800W or 1000W and MSR575W lamp modules.
- Accurate & easy to use lamp peak/ flat adjustment.
- Two pattern/ iris mounting positions.
- Automatic disconnection of power on removal of lamp module. CE marked.
- Height adjustable yoke.

### PHOTOMETRIC DATA

Performance figures are recorded using standard 240V production lamps manufactured by Phillips.



### PHYSICAL DATA



Weight: 8.3 kg

Carton Size: 650 x 400 x 260 (estimated)

Colour Frame Size: 158mm x 158mm

Gobo Size: A Size, 75mm diameter image

Included: 1 x colour frame, 1 x heat sink guard, 1 x M12 suspension bolt set, instruction leaflet.

### ORDER CODES & ACCESSORIES

Pacific F.B. Body, No Lens, 600W, 800W	18PACFB/6
Pacific F.B. Body, No Lens, 1000W	18PACFB/1
Pacific 20° Lens Assembly	18PACL20
Pacific 30° Lens Assembly	18PACL30
Pacific 40° Lens Assembly	18PACL40
Pacific 50° Lens Assembly	18PACL50
Pacific Gobo Holder, 'A' Size	19PACGHA
Pacific Spare Colour Frame	19PACCF
Pacific Iris	19PACIRIS
Pacific Lens Safety Mesh	19PACSMFB
Suspension Hookclamp	20HC
Safety Bond	20SC

### LAMPS

GKV 600W, 240V, 15,000 lumens,	300 hours average life
GLB 600W, 240V, 13,000 lumens,	1500 hours average life
800W, 240V, 22,000 lumens,	400 hours average life
GAD 1000W BP, 240V, 25,000 lumens,	250 hours average life
GAB 1000W BP, 230V, 25,000 lumens,	250 hours average life

Selecon reserves the right to change the specifications without notice (10/03)

SELECON, THE ONLY MANUFACTURER TO OFFER A LIMITED THREE YEAR WARRANTY  
ON ENTERTAINMENT PRODUCTS

[www.seleconlight.com/english/support/warranty.html](http://www.seleconlight.com/english/support/warranty.html)