

SELECON

OPERATION MANUAL



This manual covers the following models:

PAC12-28	12° ~ 28° Pacific Zoomspot
PAC14-35	14° ~ 35° Pacific Zoomspot
PAC23-50	23° ~ 50° Pacific Zoomspot
PAC47-75	45° ~ 75° Pacific Zoomspot
PAC-20	20° Fixed Beam Pacific
PAC-30	30° Fixed Beam Pacific
PAC-40	40° Fixed Beam Pacific
PAC-50	50° Fixed Beam Pacific
PAC-90	90° Fixed Beam Pacific

For Pacific MSR, CDM, 80V Power System please refer to the additional instruction sheets as well. The Pacific 5.5-13 VNZ has a separate instruction manual.

THANK YOU FOR PURCHASING A SELECON PACIFIC LUMINAIRE. WE HAVE DESIGNED THIS LUMINAIRE TO PROVIDE YOU WITH A SUPERIOR FITTING IN PERFORMANCE, DESIGN & ENGINEERING. WE ARE CONFIDENT THAT IT WILL PERFORM TO YOUR EXPECTATIONS FOR MANY YEARS TO COME.

Caution!

Installation is entirely at your risk. Read this manual from cover to cover before attempting installation. Do not attempt installation unless you are suitably qualified. If you do not understand a point in this manual, don't guess. Don't take short cuts. If in doubt, stop! Contact Selecon or one of its authorised distributors for advice. Don't be afraid to ask for help.

IMPORTANT NOTE: Before discarding the packaging ensure you have the suspension bolt set, colour frame &/or the lamp.

Important!

Read this manual from cover to cover before attempting to install, operate or maintain the luminaires to which it relates. It contains important installation, operating, maintenance and safety procedures. The customer must strictly comply with them.

Along with such procedures mentioned in this document, the customer should also observe such other procedures generally applicable to lighting equipment.

Follow the instructions in this manual carefully. Selecon accepts no responsibility if the customer fails to do so.

For each customer, operating conditions will vary, sometimes greatly. Such variations may affect the luminaires' performance. Selecon has no control over the customer's unique operating environment. Hence, Selecon makes no representations or warranties concerning the luminaires' performance under the customer's actual operating conditions. All operating parameters must be validated for each customer application by the customer's technical experts.

If the customer does not follow the installation, operating, maintenance and safety procedures in this manual, as well as those generally applicable to lighting equipment, the luminaire may not perform as expected. More seriously, it may cause property damage, personal injury or other losses.

Selecon accepts no liability for direct, indirect, incidental, special, or consequential damages resulting from the customer's failure to follow the installation, operating, maintenance and safety procedures in this manual or those generally applicable to lighting equipment. The foregoing limitation extends to damages for personal injury, property damage, loss of operations, loss of profits, loss of product or loss of time, whether incurred by the customer, the customer's employees or a third party.

Selecon used all due care in preparing this manual. However, Selecon accepts no liability for errors or omissions. Selecon reserves the right to change the specifications of its luminaires, or the information in this manual, without necessarily giving its customers notice thereof.

Installation, operation and maintenance are entirely at the customer's risk.

Selecon's luminaires should be installed, operated and maintained by suitably qualified personnel. Such personnel should have previous experience with lighting equipment as well as general electrical experience.

This manual is intended to provide general guidance to such suitably qualified personnel. For specific guidance and technical support, contact Selecon or its authorised representative.

Information in this manual shall not be deemed a warranty, representation or guarantee concerning a luminaires' suitability or fitness for a specific purpose.

Subject to the right to use its luminaires, Selecon does not convey any right, title or interest in its intellectual property, including, without limitation, its patents, copyrights and know-how.



The Pacific is a new concept in luminaires. Please read this information carefully to ensure that you are fully conversant with its operation.

Safety Warnings	4
Operating your luminaire for the first time	4
Centering the lamp	5
Optimising the output	6
Lamps	6
Mounting your luminaire	7
To mount on a theatre standard scaffold pipe	7
To mount on a telescopic stand	7
Adjustable Yoke	7
Operating your luminaire	8
Pan and Tilt Adjustment	8
Focusing Pacific Zoomspot models	8
Focusing Pacific Fixed Beam Profiles	8
Shutter System	8
Accessory mounting positions	9
Rotatable Lens tube	10
Interchangeable lens assemblies	10
Colour Filter Life	10
Safe Practice	11
Rigging Check-list	11
Maintenance	11
Safety	12
Limited Warranty	13
Accessories and codes	13
Contacting Selecon	13
Spare Parts Diagram	14

Safety Warnings



Not for residential use.



CAUTION: Hot Surfaces, Avoid contact by persons or materials.
The Pacific has some hot surfaces. Be careful to avoid burns. Take care with the lamphouse and heat-sink. We suggest the use of leather gloves when focusing these luminaires.



SAFETY - Mains Power Isolation
The Pacific range is fitted with a micro-switch that automatically disconnects the mains power when the lamp holder is removed. However, it is also recommended that the luminaire should always be electrically isolated from mains power before re-lamping, cleaning or servicing.



CAUTION: Risk of fire - Use with maximum 1000 watt lamp



CAUTION: For the 575W MSR model Pacific, use only a high-pressure lamp of the proper size and type in this lamp system.
These luminaires are not suitable for mounting on a normally flammable surface



These luminaires are not suitable for outdoor use. They are rated at IP00

— 1.0m E

The luminaire should be at least 1.0 metre away from the nearest object it is lighting.

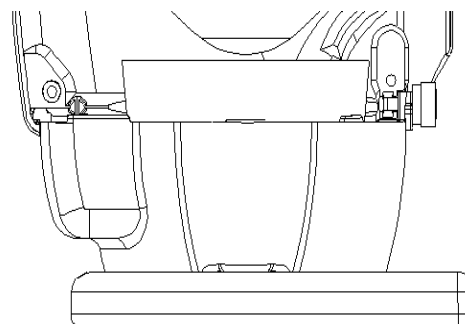
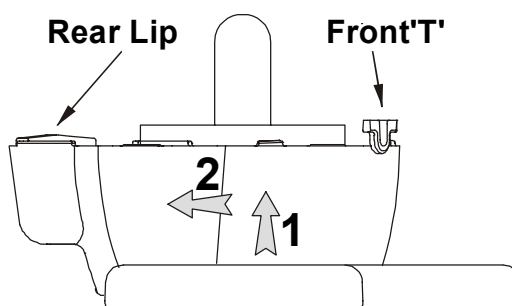
↕ = 90°

The Pacific range can be operated only through a range of angles 90° either side of horizontal.

Operating your luminaire for the first time

When first opening the packing box for your luminaire, please note that the lamp holder module is mounted to the lamphouse. Before inserting a lamp into the module, we suggest that you practice the motion of removing and inserting the lamp holder module from the lamphouse.

Loosen the thumb-screw at the front of the lamp holder module by about 5mm. Holding the lamp holder module by the Handle, slide it forward until both the rear lip and the front 'T' of the lamp holder module clear their home positions. Reverse this action to replace the lamp holder and then tighten the thumb-screw to lock the lamp holder module into position.



Familiarise yourself with the way the Lens Tube can be rotated by loosening the lens tube locking clamp and turning the tube. Note how the colour frames are locked into the front of the lens tube with the colour frame locking clip and plunger.

The Pacific provides for mounting 2 gobo holders. Practice inserting them into both the front and rear position as it is easier to familiarise yourself with something new while it is on the ground rather than up in the air.

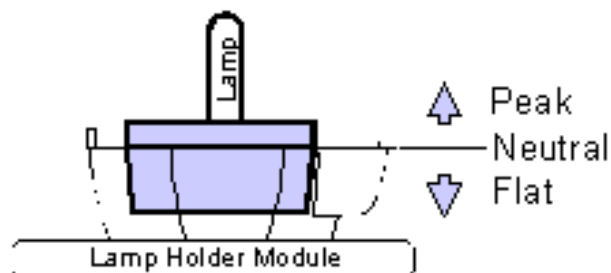
Lamp Replacement & adjustment:

Isolate electrically before re-lamping the luminaire. Also be aware that the lamp or luminaire may still be hot, so exercise necessary caution to avoid burns.

To ensure optimum performance from your Pacific luminaire, follow the steps below:

Centering the lamp

- 1 Remove the lamp holder module as described above.
- 2 Set the level of the metal cup holding the lamp base. The metal cup has a line around it. This level is factory set to the optimum position, and the luminaire output is then confirmed with test equipment. The optimum position has the line level with the edge of the module.



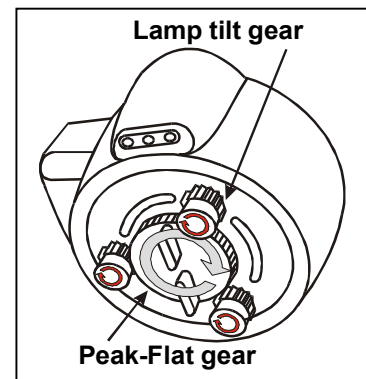
First level the cup with the edge of the module by adjusting the three levelling screws. Then set to the correct height as detailed above.

- 3 Remove the old lamp. Align the pins of the new lamp to the correct holes and push the lamp firmly home. Do not touch the quartz envelope of the lamp with your fingers - use the plastic or paper sheath supplied to insert the lamp.
- 4 Carefully replace the lamp holder module and tighten the thumbscrew to lock it into position. Reconnect the luminaire to the power supply.
- 5 Turn on the luminaire to approximately 30%. This makes the peak easier to see, and reduces the stress on the filament. Set the beam angle to its widest with a sharp edge.
- 6 Centre the lamp in the middle of the beam if necessary, by adjusting the three levelling screws.

Optimising the output

The lamp position can be altered to 'peak' or 'Flat' light output. The peak beam gives a central hot spot falling off evenly to the beam edges. This setting is useful for normal stage lighting purposes where beams are overlapped to achieve an even cover. Flat adjustment provides a visually even light beam suitable for gobo projection. Take care to move the lamp carefully as the lamp filament is burning white hot and at its most vulnerable. Don't over-tighten the knobs, finger tight pressure is all that is required.

- 1 Adjust the beam to its narrow angle, with a sharp edge.
- 2 Peak the output (turn the centre gear clockwise) until you see light flare around the edge of the beam.
- 3 Turn the centre gear anti-clockwise until the flare is removed and you have a clean sharp-edged beam. This is the position of maximum light output.
- 4 A useful technique to check how well the lamp is centred is to push two of the shutters into the beam, and then check if any reflection off the shutters is visible in the beam. If so, adjust the screw on the side opposite to the reflection until it disappears.
- 5 To set a 'FLAT' beam, turn the centre gear anti-clockwise until the distribution appears even across the beam.



Lamps

The Pacific range is available with 5 different lamp holder modules.

The lamp holder module with a **RED** handle has a GY9.5 type for use with BP1000W 'Blue-pinch' type lamps or 650W lamps. Lamps suitable for this module include:

GAD	1000W Blue Pinch, 220-240V	GAB	1000W Blue Pinch, 230V
GAC	1000W Blue Pinch, 115V		
M38	300W, 2000 hrs	M40	500W, 2000 hrs
T/25, T/18	500W, 500 hrs	T/26, T/27	650W, 500 hrs

The lamp holder with a **BLUE** handle has a TP-22 (G9.5) Lampbase and is designed to run with GKV600 range of lamps. Lamps suitable for this module include:

GKV:	600W 220V -240V, 300 hour	GLB:	600W, 240V, 1500 hrs
GLC:	575W, 115V, 300 hour	GLA:	575W, 115V, 1500 hrs
GKV:	800W 220V -240V, 300 hour		

Important note: The GKV range of lamps uses a very compact filament in order to achieve its highly efficient output. For this reason, the lamp filaments are close to each other and are therefore sensitive to shocks. Great care should be taken when adjusting the lamp and focusing the luminaire to avoid shocks.

For information on the 80V 1200W lamp module, 575 MSR lamp module, and 150w CDM lamp module, please refer the separate instruction sheets.

Important Note: The quoted performance figures are achieved with Philips lamps. Other manufacturers lamps can be used, but no assumptions should be made as to relative performance.

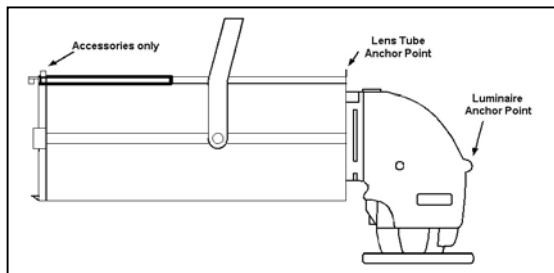
Please refer to the instructions of the lamp manufacturer when disposing of failed lamps.

Mounting your luminaire

A Safety Bond **MUST** always be used when rigging luminaires on bars, ladders, etc. The safety bond is passed through the luminaire lamp-house anchor ring located at the rear of the luminaire and around the bar. This is the only recommended anchor point for the luminaire. Be careful to allow sufficient slack to allow the luminaire to be focused freely.

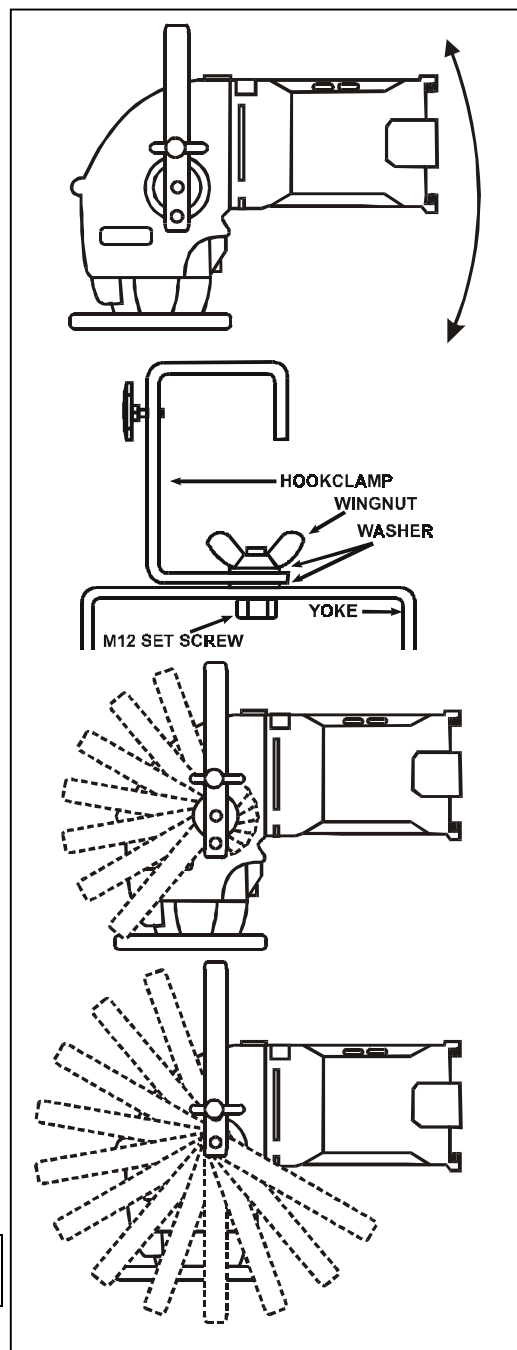
Extra safety bond attachment points have also been provided for accessories, etc, on the lens tube and on the lamp-holder handle. Safety bonds are available from Selecon or your distributor.

The Pacific uses universal burning position lamps. When possible however, it is considered best practice to mount the luminaire so the yoke is horizontal and with the lamp base down. Please note also that the maximum tilt angles of the luminaire are 90 either side of horizontal.



To mount on a theatre standard scaffold pipe

(48mm O.D.) Use a theatre hookclamp (Order Code: 20HC). Your luminaire is supplied with an M12 (or 1/2" for the US) set screw, two washers and a nut. Pass the set screw through the yoke hole from the inside, put on a washer, then the hookclamp, another washer and then tighten the nut.



To mount on a telescopic stand

Loosen the yoke mounting bolts. Slide the yoke forward along the lens tube until the yoke can be reversed under the luminaire. Reverse the yoke and slide back along the lens tube. Tighten the yoke mounting bolts and bolt the stand's spigot onto the set screw. (Stand Order Code: STDTH)

Adjustable Yoke

To enable the Pacific VNZ to be balanced, the yoke can be adjusted along the length of the barrel. Loosen the yoke mounting bolts. Slide the yoke forward or backwards until the desired balance point is achieved. Tighten the yoke mounting bolts. **This operation is best done when initially setting up the luminaire.**

1.0m : The Luminaire should be at least 1.0 metre away from the nearest object it is lighting.

Operating your luminaire

Please note that as the Handles and knobs on the Pacific range can reach high temperatures depending on the position or orientation of the luminaire, and that gloves should always be worn when focusing these luminaires.

Pan and Tilt Adjustment

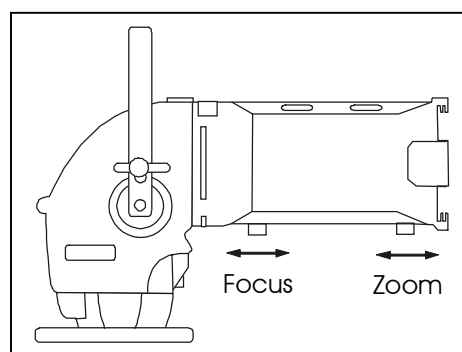
To pan the luminaire, loosen the nut at the top of the yoke and adjust, then retighten. To tilt, loosen the locking clamp handle on the side of the luminaire, tilt and retighten finger tight. Note that the maximum tilt angles for the Pacific are 90° either side of horizontal.

Focusing Pacific Zoomspot models

The beam of the Pacific can be adjusted to a well controlled soft-edged focus useful when merging one beam to the next, or to a hard-edged focus useful for projections, specials, etc. The variable beam of your Pacific luminaire is altered by adjusting the front or rear lens in relation to each other. The front lens defines the beam spread; the rear, the focus degree of "softness" or "sharpness" of the beam edge or shutters.

To focus your zoomspot, first define the beam size required using the front lens. Then set the hardness/ softness of the beam with the focus lens.

Finger tight pressure only is necessary to lock the lens off in their chosen positions.



Focusing Pacific Fixed Beam Profiles

The beam angle is defined (20, 30, 40, 50 or 90 depending on the model), the lens (two in the case of the 90° model) can be moved to adjust the beam to in focus (sharp), or out of focus (soft). A scale is moulded into the bottom of the lens tube. The 'scale' allows you to record your preferred beam settings. The following colour coded lens holders and knobs are used to indicate the various beam angles:

20 degree: RED
30 degree: BROWN

40 degree: GREY
50 degree: BLUE

90 degree: BLACK
with short lens tube

To set a soft focus, move the lens forward of the hard focus position. Note: If you move it too far, the beam will become unusable and may cause the colour filter to burn.

Shutter System

The shutters are used to mask a portion of the beam, shaping it, masking light off scenery, curtains, etc. Note that on the Pacific range of luminaires, the shutters are not removable.

NOTE: Do not run the luminaire with all the shutters closed, as this may cause the luminaire to over-heat

Accessory mounting positions

The Pacific range provides good image projection right across the beam. The rotatable gobo holder comprises the holder and a spring clip to hold the pattern flat against the holder. The holder can be rotated in the slot to align the image as required on the stage.

NOTE: The Pacific range has several different pattern holders:

19PACGHM	For 'M' size patterns used in the 12-28 and 5.5-13 Zoomspot
19PACGHMG	For 'M' size Glass patterns used in the 12-28 and 5.5-13 Zoomspot
19ACGHA	For 'A' size patterns used in the 23-50 and fixed beams
19ACGHAG	For 'A' size Glass patterns used in the 23-50 and fixed beams
19ACGHB	For 'B' size patterns – available for use with all (see note below) but the 14-35 has been specifically designed to take a B size pattern
19ACGHBG	For 'B' size patterns – available for use with all (see note below) but the 14-35 has been specifically designed to take a B size pattern
19PACGHPLPH	For plastic transparencies

Note that when a 'B' size gobo is used in the 12-28 Zoomspot, only 60% of the image area will be projected due to the 50mm (2") gate size. When a 'B' size gobo is used in a 23-50 or 45-75 zoom or fixed beam unit, part of the light beam will be wasted.

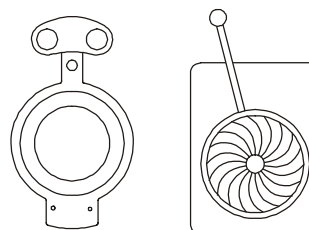
A unique feature of the Pacific range is the ability to use plastic transparencies for projection instead of conventional steel or glass gobos. This can only be done if the Pacific is configured correctly. For detailed information please refer to our website : www.seleconlight.com/english/support/gobos-desktop.com

The Pacific provides for mounting 2 gobo holders, one forward of, and the other behind the shutter assembly.

The front mounting slot will house:

- A Selecon rotatable pattern holder
- An adjustable Iris
- A motorised Gobo holder (eg Rosco/ DHA)

The rear slot will house a Selecon rotatable pattern holder



To fit an accessory in the front mounting slot

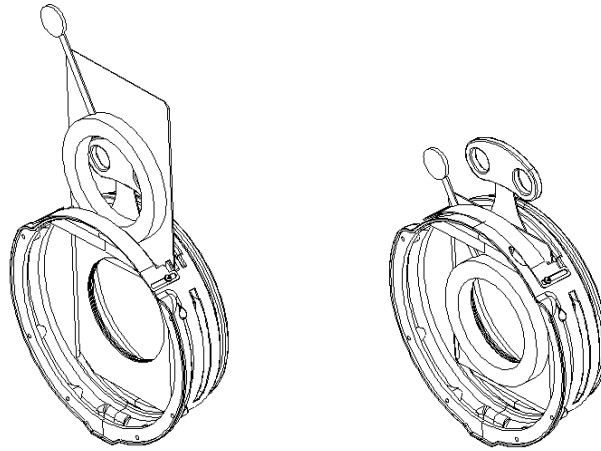
Slide the gobo slot cover forward to reveal the Aperture. Slide the accessory in front of the shutter plate, into the moulding slot. Ensure the pattern spring clip faces to the front of the luminaire. Slide the gobo slot cover back into place to lock in the accessory.

To fit an accessory in the rear mounting slot

Slide the pattern holder against the rear shutter plate into the moulding slot. The pattern spring clip must face the rear of the luminaire. Push the pattern holder home firmly so the dimple sits under the moulding lip, ensuring it can't fall out.

To insert an Iris

To mount the Iris (20IRIS), slide into the front mounting slot and push to the bottom of the slot. Slide the slot cover back to lock the Iris into position. If the slot cover is not pushed back, the Iris will be loose in the mounting slots, causing potential focus or imaging problems.

**Rotatable Lens tube**

The lens tube can be rotated to position the shutters for the best cut, or to move the focus knobs into an optimum operating position.

1. Check that the colour frame clip is closed, securing the colour frame accessory. Ensure any pattern holders or Iris/ accessory is secured in the gate mounting slots (refer above)
2. Loosen the top lens tube clamp
3. Rotate the lens tube to the required position
4. Screw the lens tube locking clamp back into position to secure the lens tube.

Interchangeable lens assemblies

For the Pacific fixed beam and 23-50 zoom models the lens assemblies are interchangeable so you can, for example, change a 20 luminaire to a 40 luminaire, or 23-50 zoom luminaire. Unscrew the lens assembly knob, and then slide the plastic lens assembly out of the front of the lens tube. Replace it with the desired beam angle lens assembly.

Lens assemblies are colour coded as follows:

20 degrees	Red	40 degrees	Grey
30 degrees	Brown	50 degrees	Blue
23-50 zoom Front Lens	Black	23-50 zoom Rear Lens	Black

Colour Filter Life

The Pacific optical system has been optimised for maximum colour life in the "useable" range of beam angles. As the Pacific uses very compact filament lamps, and as there are no restrictions as to how far the lenses can move, it is possible to position a lens in a way that the lenses focus point coincides with the colour filter, thus causing it to rapidly deteriorate. The beam of light at these lens positions is not useable. With the Pacific fixed beam Models, gel life can be maximised by using the optimised peak/flat setting for each model. We recommend the following settings to maximise gel life:

20 degree:	peak or flat	40 degree:	flat	90 degree:	flat
30 degree:	peak	50 degree:	peak or flat		

Safe Practice

Heat

The Pacific incorporates an innovative design to effectively remove the heat out of the luminaire, away from the critical heat-sensitive components such as the lamp base and wiring. The components that form part of the heat removal system, the heat-sink and lamp house, will operate at temperatures which can burn you!!! Take care in handling the luminaire. We recommend the use of gloves when focusing.

Tilt Lock

Take care when releasing the tilt lock as the luminaire may suddenly swing down. Hold the lens tube with one hand and release the tilt lock with the other.

Handles

The rear handle on the lamp house is designed to assist positioning of the luminaire during focusing. When cold, cable can be wrapped around it for storage. Do not operate the Pacific with cable wrapped around the handle.

Carry the luminaire by the Yoke or rear handle, NEVER by the lamp holder handle

The lamp module handle is designed for holding the lamp module when removing and mounting it into the luminaire. It is not suitable for use during focusing.

Mains Isolation

The Pacific range is fitted with a micro-switch that automatically disconnects the mains power when the lamp holder is removed. However, it is also recommended that the luminaire should always be electrically isolated from mains power before re-lamping, cleaning or servicing.

Rigging Check-list

When rigging your luminaire check:

- Lens tube clamp is securely screwed home
- All safety anchor bonds are fitted
- Any accessories are correctly installed and secured
- Colour frame retention clip is locked down
- Lamp Module is secured in position and its thumb screw is finger tight.

Maintenance

Reflector and Mirror: Unscrew the screw that secures the heat sink into place. Lift out the heat sink. Wipe the reflector and mirror with a soft cloth to remove accumulated dust. To clean the coated side of the mirror, remove the lens tube and access through the front opening of the lamphouse. Take care when doing this as the edges of the opening are sharp. When finished, reverse the above process.

The coated side of the mirror must always face the inside of the luminaire. To determine which side of the mirror is coated, touch the surface of the mirror with your fingernail. If the reflection in the mirror is touching your finger nail, then this is the coated side. If the reflection is about 3mm from your finger, then this is the non-coated side, and should face the heat sink. If you put any fingerprints on the mirror, do not forget to wipe them clean before replacing the mirror.

Note: severe contamination of the front or rear of the mirror could lead to loss of heat transfer and result in over heating.

A soft cloth soaked in a mild detergent solution or alcohol can be used to remove dirt from the mirror.

Lens: The assembly can be removed out of the luminaire, clean with a soft cloth. To remove baked-on dust use a window cleaner.

The above are the only maintenance tasks which can be safely carried out by non approved personnel. Refer below - Safety & Maintenance note.

Safety

Selecon has manufactured this luminaire in accordance with recognised best practices to recommended international safety standards. It is your responsibility to maintain this luminaire in good & safe working condition.

Repairs should only be carried out by suitably qualified persons. Do not operate the luminaire with cracked lens, damaged cable, etc. Consult your Selecon distributor for assistance. Only replace damaged parts with authorised Selecon spares.

N.B. Luminaire Cable - Your Selecon luminaire is fitted with special heat resistant flexible cable, replace with genuine Selecon spare part cable kit only - refer to your Selecon distributor. (Replacement cables are supplied complete with necessary terminal connectors.)

Cable Conductor colour codes:

Brown	- Phase, Live
Blue	- Neutral
Green/Yellow	- Earth

Limited Warranty

Selecon New Zealand Ltd. ("Selecon") warrants its luminaires against defects in materials or workmanship. The term of this warranty is based on the product usage and is from the date of delivery.

Usage – Entertainment, Theatre Term - Three Years

Entertainment, Theatre relates to the typical conditions found in a theatre performance venue viz:

4 – 6 hrs per day, six days per week.

Usage – Architectural, Display Term - One Year

Architectural, Display relates to typical usage such as display lighting in a Museum viz:

10 – 12 hrs per day, seven days per week.

Other – ALL Electromechanical / Electronic Devices Term - One Year

This warranty is void in any of the following circumstances: (a) The luminaire has been misused, neglected, damaged or abused. (b) The luminaire has been improperly installed, operated, repaired or maintained. (c) The luminaire has been modified. (d) The luminaire has been connected to other equipment with which it is not compatible. (e) The luminaire has been used or stored in conditions outside its electrical or environmental specifications. (f) The luminaire has been used for purposes other than for which it was designed. (g) The luminaire has been used outside its stated specifications and operating parameters.

Correct installation of the luminaire is the owner's responsibility.

To assert a warranty claim, complete Selecon's return authorisation form (available from Selecon). Return the luminaire to Selecon or its authorised agent.

If Selecon accepts the warranty claim, Selecon will provide, or arrange for, service, repair or replacement as Selecon shall determine in its sole discretion. Selecon shall bear the cost of such service, repair or replacement. However, the owner shall bear the cost of freight and insurance on the luminaire, both ways. If Selecon does not wish to service, repair or replace the defective luminaire, it shall refund the purchase price. Selecon's sole responsibility is to repair, replace or service a luminaire subject to a valid warranty claim. Under no circumstance will Selecon be liable for direct, indirect, incidental, special or consequential costs or damages, including dismantling and re-installation costs, loss of operations or profits, to the maximum extent permitted by law.

Selecon accepts no liability for personal injury or property damage resulting from failure to heed relevant operating and safety procedures specified by Selecon or imposed by law.

This is an express warranty. Selecon disclaims any other express or implied warranties, including warranties of merchantability or fitness for purpose, to the maximum extent permitted by law.

Some jurisdictions do not allow limitations or disclaimers of implied or statutory warranties. Some jurisdictions do not allow disclaimers or exclusions of consequential or incidental damages. Therefore, the above disclaimers, limitations and exclusions may not apply in all jurisdictions in which Selecon sells its luminaires.

This warranty gives the owner specific legal rights. The owner may have other rights or remedies pursuant to the laws in its territory. Nothing in this limited warranty should be construed as limiting or restricting any other statutory right or remedy of the owner, except for such limitations or restrictions herein as may be allowed by

the law of the territory.

Selecon has a policy of continual product improvement and specifications are subject to change without notice.

Accessories and codes

Gobo holder for 'M' size patterns (5.5-13,12-28 Zoomspot)	19PACGHM
Gobo holder for 'M' size Glass patterns (5.5-13,12-28 Zoomspot)	19PACGHMG
Gobo holder for 'A' size patterns (23-50, 45-75 and Fixed Beams)	19ACGHA
Gobo holder for 'A' size Glass patterns (23-50, 45-75 and Fixed Beams)	19ACGHAG
Gobo holder for 'B' size patterns (14-35 Zoomspot)	19ACGHB
Gobo holder for 'B' size Glass patterns (14-35 Zoomspot)	19ACGHBG
Gobo holder for plastic transparencies	19PACGHPLPH
Iris	20IRIS
Suspension Hook-clamp	20HC
Safety bond	20SC
Safety Mesh for 5.5-13 zoom	20SM20
Safety Mesh for 12-28, 14-35 and 45-75 zooms, 90 Fixed Beam	18PACSM1228
Safety Mesh for 23-50 zoom, Fixed Beams	19PACSMFB
Spare colour frame for 5.5-13 zoom	20CFSF2020
Spare colour frame for 12-28, 14-35 and 45-75 zooms, 90 Fixed Beam	20CFSF12
Spare colour frame for 23-50 zoom, Fixed Beam s	19PACCF
Pacific Heat Sink Guard	19PACLM6
Lamp holder module 1000W	19PACLM1
Lamp holder module 575W MSR	19PACLMMSRI
Lamp holder module 575W MSR Hot Restrike	19PACLMHRMSR
Lamp holder module 80V 1200W inc power supply	18PAC80VASS2
Electronic ballast for 575W MSR	18PACMSRELBP
Lens Assembly 20	18PACL20
Lens Assembly 30	18PACL30
Lens Assembly 40	18PACL40
Lens Assembly 50	18PACL50
Lens Assembly 12-28 front	19PACL1228F
Lens Assembly 12-28 rear	19PACL1228R
Lens Assembly 23-50 front	19PACL2650F
Lens Assembly 23-50 rear	19PACL2650R
Lens Tube for 23-50 (including lenses)	19PACTUBE2650
Lens Tube for 12-28 (including lenses)	19PACTUBE1228
Lens Tube for 14-35 (including lenses)	19PACTUBE1435
Lens Tube for 45-75 (including lenses)	19PACTUBE4575
Lens Tube for 90 degree (including lenses)	18PACTUBE90
Lens Tube for other 23-50/fixed beam (excluding lenses)	19PACTUBE
Lens Tube for 12-28 (excluding lenses)	19PACTUB1228
Lens Tube for 5.5-13 (including lenses)	18PAC513LT
Pacific Universal Lamphouse	19PACHSE
Heavy Duty Yoke for 5.5-13 zoom	19PAC513HD

Contacting Selecon

Selecon New Zealand Ltd

19-21 Kawana Street, Northcote, Auckland 1310, New Zealand

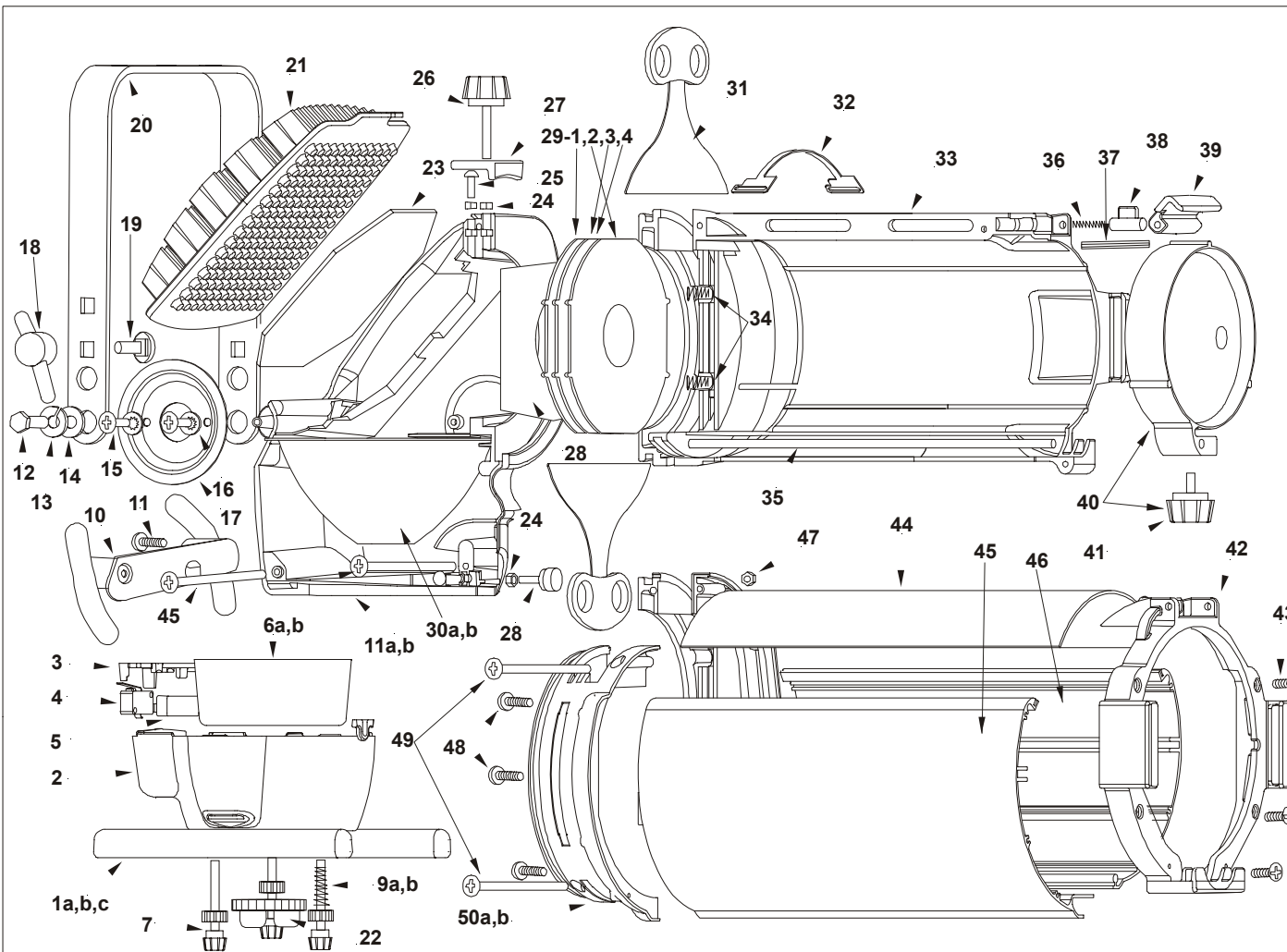
Tel: 64-9-481 0100, Fax: 64-9-481 0101

E-mail: selecon@seleconlight.com

Internet: www.seleconlight.com

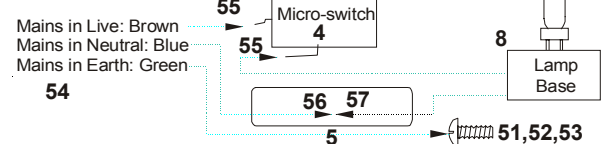
Please contact Selecon, or check our web site to find the Selecon distributor nearest to you.

Spare Parts Diagram



Pacific Spare parts		
No	Code	Description
1	PACPLA002,3,4,5	Handle Blue Black Gray Red
2	PACPLA010	Lamp holder molding
3	PACPLA011	Lamp holder molding lid
4	COMELE001	Micro-switch
5		Terminal insulation box
6	PACSPIN003,001	Lamp spinning 600w or 1kw
7	PACPLA026set	Lamp adjust outer gears/knobs
8	PACEL001/002	Lamp base 600w or 1kw
9	PACSPR002/003	Lamp spring, 600w or 1kw
10	PACPLA030	Pacific rear handle
11		Screw M4 x 16
12		Screw M8 x 25 Hex set screw
13		Spring Washer M8
14		Flat Washer M8
15		Screw M5 x 12
16		Washer Shakeproof M5
17	PACMET002	Yoke Locking Disc
18	ACCPLA001	Handle Yoke locking
19		Coach Bolt M8
20	PACYOK001	Pacific Yoke
21	PACCAS002	Heat Sink
22	PACPLA025	Lamp adjust Centre gear
23	PACLEN001	Pacific Dichroic mirror
24		Nut M5
25		Screw M5 x 20
26	COMPLA001	Lens tube locking knob
27	PACCAS001-C	Lens tube locking clamp
28	PACPLA028	Lamp module Thumb screw
29	PACSHT001,2,3,4	Shutter plate 1,2,3=1228,4=2350
30	PCAREF001	Pacific Reflector
31	PACPLA012	Shutter Blade
32	PACSHT025	Gobo holder slot cover
33	PACPLA001	Pacific fixed beam lens tube
34	PACSPR001	Shutter plate spring
35	PACMET003	Fixed beam lens holder rod
36	ACCSPR001	Colour frame plunger spring
37		Roll pin 5.5mm
38	PACPLA007	Colour frame plunger
39	PACPLA006	Colour frame locking clip
40	See price list	Lens Assembly Module
41	PACPLA0xxx	Lens focus knob, 19,21,22,23
42	PACPLA013	12-28 lens tube front molding
43		Screw 6 x 38
44	PACEXT003	Extrusion lens tube top
45	PACEXT002	Extrusion lens tube right
46	PACEXT001	Extrusion lens tube left
47		Nut M4
48		Screw 6 x 1 1/4
49		Screw M4 x 45
50	PACPLA031	12-28 lens tube rear molding
51		Screw M4 x 10
52		Washer M4 Shakeproof
53		Earth lug
54	PACLOOM001,2	Pacific wire loom 1=600 2=1K
55		QC terminal 4.8mm female
56		QC terminal 6.3mm female
57		QC terminal 6.3mm male

Wiring Diagram



SELECON
 19-21 Kawana St, Northcote, Auckland, New Zealand
 Tel: 64-9-4810100, Fax: 64-9-4810101
 e-mail: selecon@seleconlight.com
 website: www.seleconlight.com

Product Codes: PAC-20, PAC-30, PAC-40, PAC-50, PAC-12/28, PAC-28/50, Drawing Date: 10/10/2000, Drawn by: OD